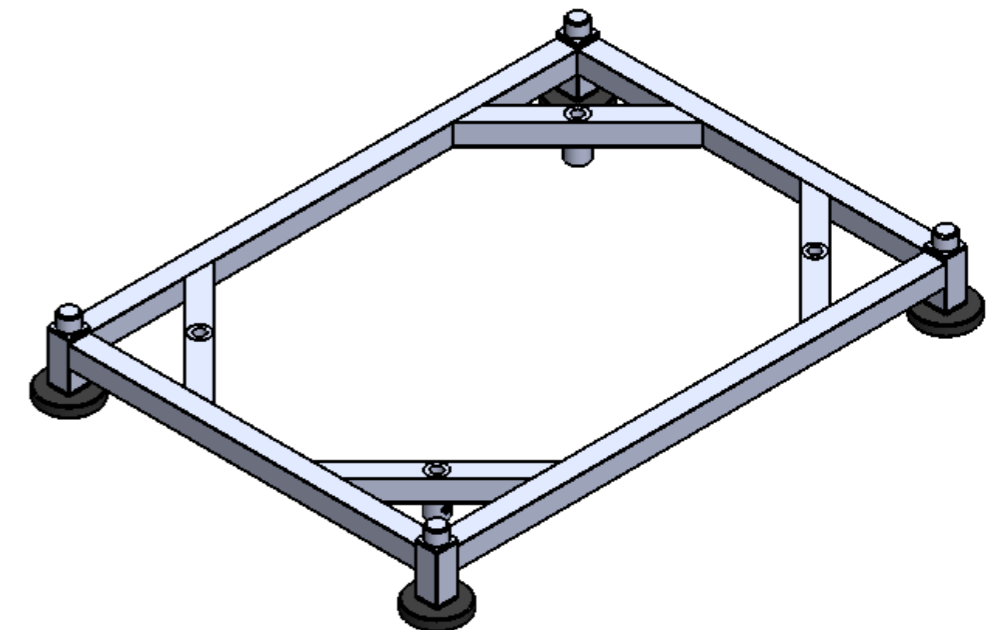
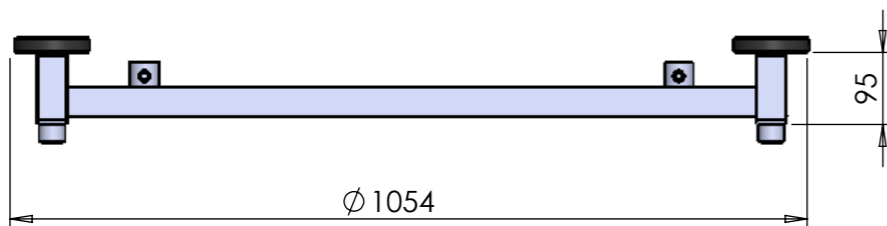
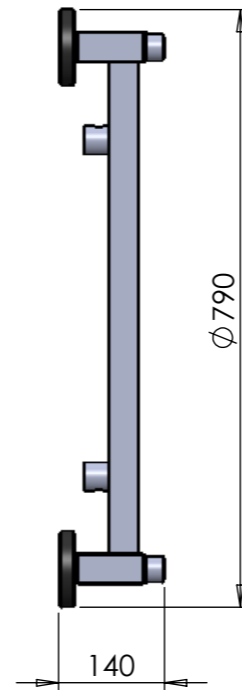
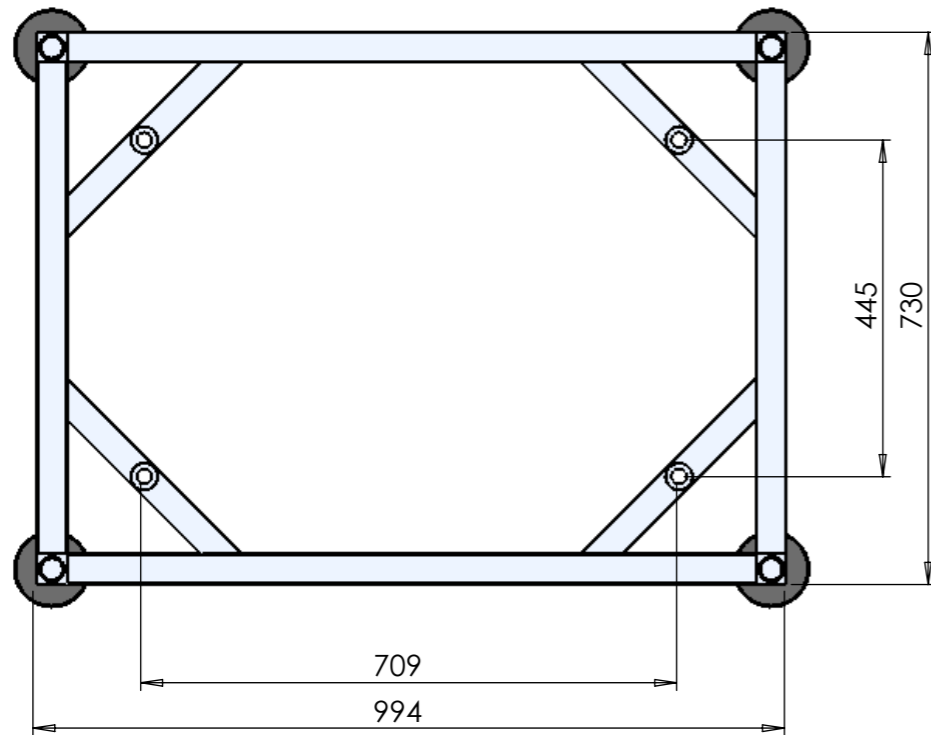


REV	DATE	ECR	DESCRIPTION OF CHANGE	NAME



1ST ANGLE PROJECTION			STATUS	
			CHECK	DATE
SIZE A3	GENERAL ROUGHNESS	MATERIAL RVS 304		
SCALE 1:10	UNIT MM	TREATMENT Keramisch stralen Reinigen met Osmose water	NAME R Jacobs	REVISION
PROPRIETARY AND CONFIDENTIAL THE INFORMATION CONTAINED IN THIS DRAWING IS THE SOLE PROPERTY OF HAKAPAK HIGHTECH PACKAGING. ANY REPRODUCTION IN PART OR AS A WHOLE WITHOUT THE WRITTEN PERMISSION OF HAKAPAK HIGHTECH PACKAGING IS PROHIBITED.		TITLE BASIS FRAME	DATE 8-5-2010	
		FILE TYPE	LOCATION C:\Oude C Schijf\2008 12 168 kilcar project\Trolley VM\	PART NUMBER
			SHEET 1 OF 1	