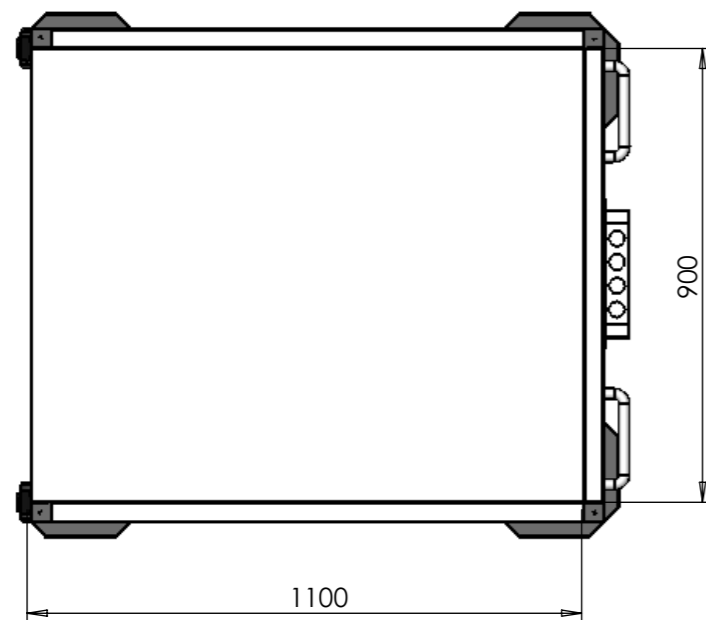
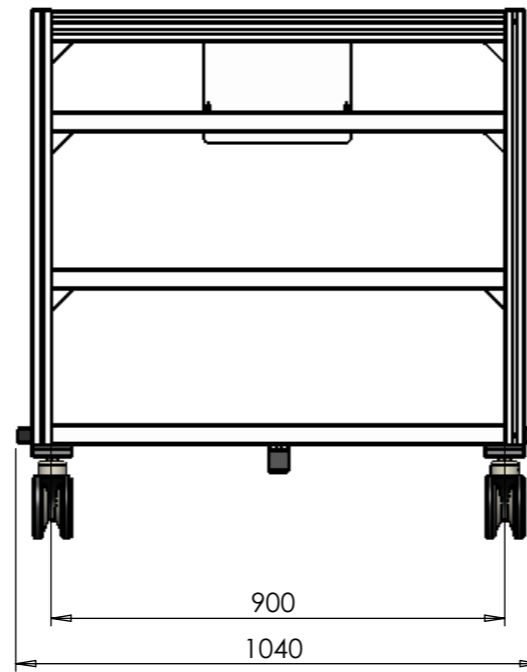
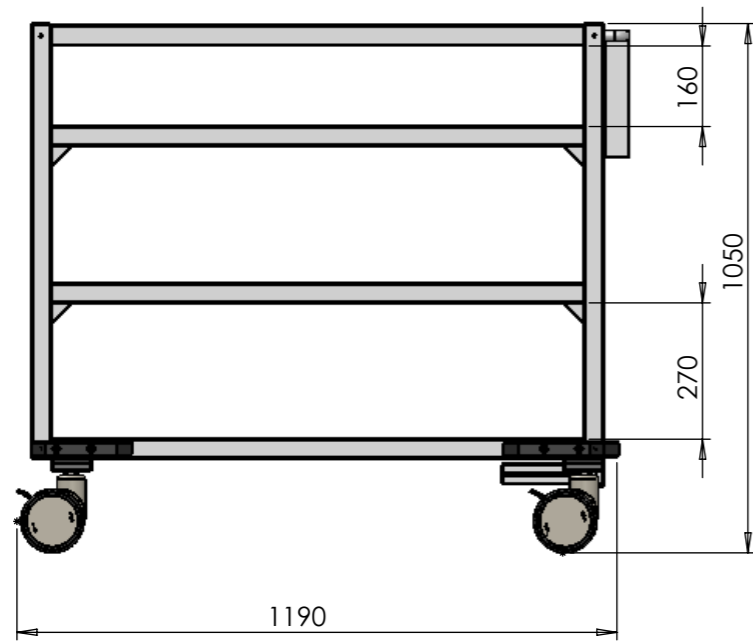


REV	DATE	ECR	DESCRIPTION OF CHANGE	NAME



1ST ANGLE PROJECTION			STATUS	
			CHECK	DATE
SIZE A3	GENERAL ROUGHNESS	MATERIAL		
SCALE 1:20	UNIT MM	TREATMENT	NAME R Jacobs	REVISION
PROPRIETARY AND CONFIDENTIAL THE INFORMATION CONTAINED IN THIS DRAWING IS THE SOLE PROPERTY OF HAKAPAK HIGHTECH PACKAGING. ANY REPRODUCTION IN PART OR AS A WHOLE WITHOUT THE WRITTEN PERMISSION OF HAKAPAK HIGHTECH PACKAGING IS PROHIBITED.		TITLE KIT_KAR_AO_LA_1060	DATE 13-5-2010	
		FILE TYPE	LOCATION C:\Oude C Schijf\2008 12 168 kitcar project\Kar 2 delen\	PART NUMBER
			SHEET 1 OF 1	