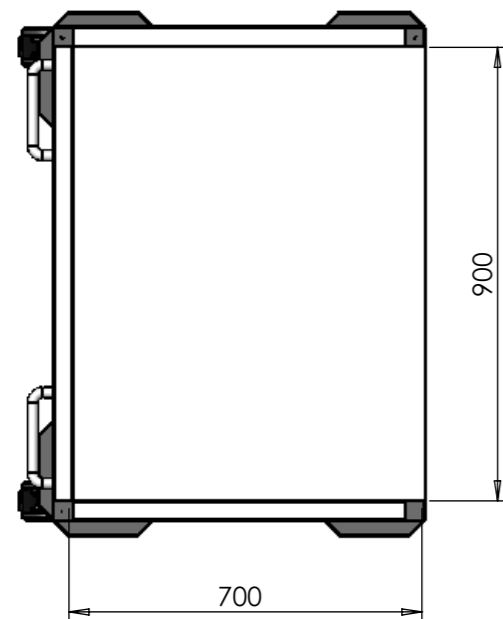
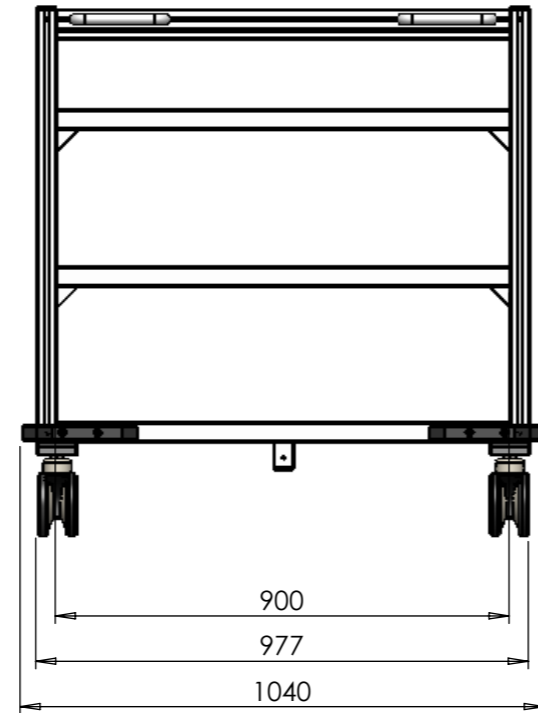
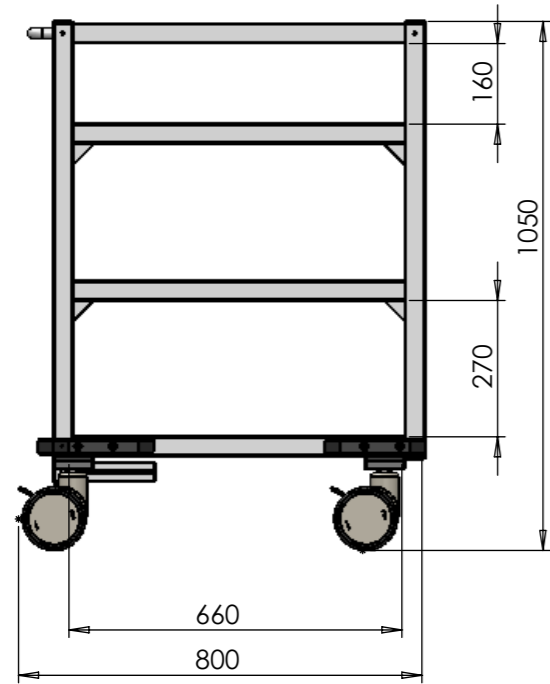


REV	DATE	ECR	DESCRIPTION OF CHANGE	NAME



1ST ANGLE PROJECTION			STATUS	
SIZE	GENERAL ROUGHNESS		CHECK	DATE
A3		MATERIAL		
SCALE	UNIT	TREATMENT	NAME	REVISION
1:20	MM		R Jacobs	
PROPRIETARY AND CONFIDENTIAL THE INFORMATION CONTAINED IN THIS DRAWING IS THE SOLE PROPERTY OF HAKAPAK HIGHTECH PACKAGING. ANY REPRODUCTION IN PART OR AS A WHOLE WITHOUT THE WRITTEN PERMISSION OF HAKAPAK HIGHTECH PACKAGING IS PROHIBITED.		TITLE		DATE
		KIT_KAR_AO_LA_660		13-5-2010
		FILE TYPE	PART NUMBER	
		LOCATION	
		C:\Oude C Schijf\2008 12 168 kitcar project\kar 2 delen\		SHEET 4 OF 4