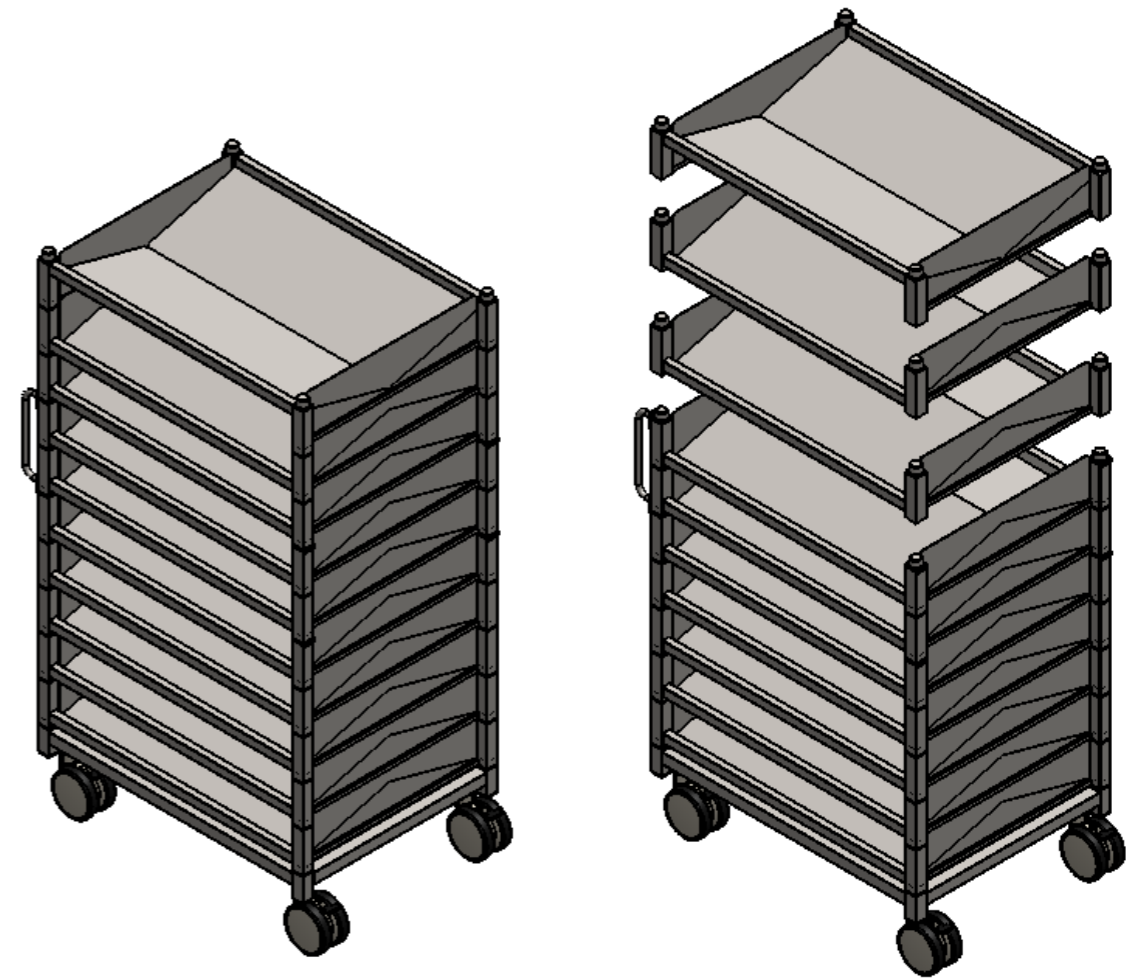
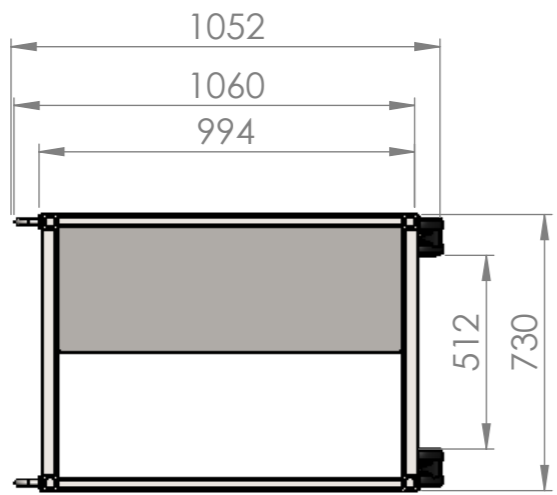
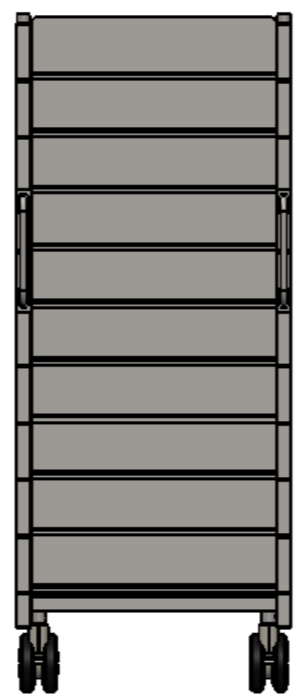
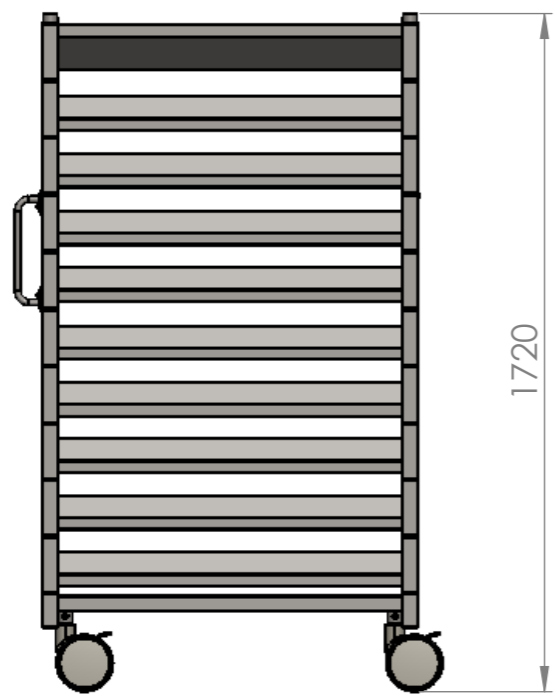


5	6	7	8
REV	DATE	ECR	DESCRIPTION OF CHANGE
N/A	N/A		
			NAME
			<NAME>



Modulair systeem

1ST ANGLE PROJECTION			STATUS	
			CHECK	DATE
SIZE <b>A3</b>	GENERAL ROUGHNESS	MATERIAL		
SCALE <b>1:20</b>	UNIT <b>mm</b>	TREATMENT		NAME <b>R. Jacobs</b>
<small>PROPRIETARY AND CONFIDENTIAL THE INFORMATION CONTAINED IN THIS DRAWING IS THE SOLE PROPERTY OF HQPACK HIGHTECH PACKAGING. ANY REPRODUCTION IN PART OR AS A WHOLE WITHOUT THE WRITTEN PERMISSION OF HAKAPAK HIGHTECH PACKAGING IS PROHIBITED.</small>		TITLE <b>Voorbeeld VMI SAMENSTELLING</b>		REVISION
		FILE TYPE	LOCATION	DATE <b>10-3-2011</b>
		PART NUMBER <b>N/A</b>		
		SHEET 1 OF 1		